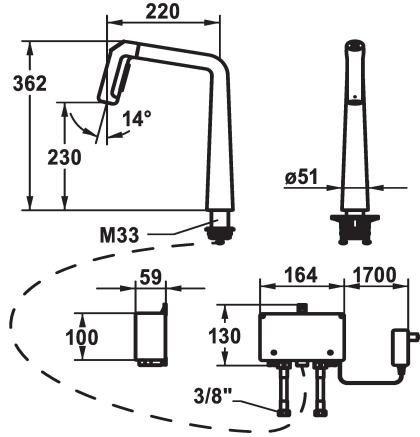


## KWC KIO Kitchen - with LED-technology

Modell-Linie: KIO | 10.481.232.000FL  
Kranar | Elektronické armatury



### KWC-No.

**125193**  
chromeline, A 220, flexible connection hoses, mains receiver

**125194**  
matt black, A 220, flexible connection hoses, mains receiver

**125195**  
decor steel, A 220, flexible connection hoses, mains receiver

### ATT-KWC-FARBCODE

F000

F176

F127

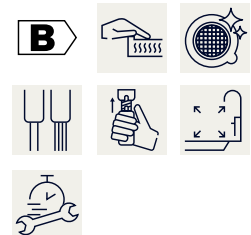
- \* IntelligentControl - electronic control
- \* gap between wall and centre of mounting hole min. 26 mm
- \* TouchProtect - anti-scald protection thanks to the "double skin" principle
- \* Microprocessor-control
- touch'n'flow 1: cold water, 50% flow rate can be individually adjusted and saved
- touch'n'flow 2: warm water, 50% flow rate can be individually adjusted and saved
- touch'n'flow 3: hot water, 50% flow rate can be individually adjusted and saved
- with cleaning programme
- \* Pull-out spray ergonomic spout alignment, shape and handling
- SprayClean - easy to clean and actively prevents limescale buildup
- Neoperl® Perlator® laminar
- PowerClean - needle spray mode, with automatic diverter reset
- Integrated control unit

- up to 500 mm pull-out length
- hose surface to fit faucet surface
- \* Hose guide, swivelling 150°, can be extended to 360°
- \* EasyLock - a pull-out spray that easily slides back into place
- \* OptimalSpace - ample space for washing or working
- \* KWC control unit, maintenance-free
- up-to-date microprocessor and drive technology
- tried-and-tested valve technology
- with-out installation materials
- designed for wired connection to 1 operating unit (standard)
- \* Flexible connection hoses 3/8"
- \* QuickInstallation - Fastening via threaded connection with locking screws
- \* Mounting hole size ø35 mm
- \* Scope of delivery:
  - Mains receiver 100-240 V / operating voltage 12 V / cable length 2000 mm
  - \* To be ordered separately (optional or if necessary):
  - Swivel range limited to 120°, Z.538.320

### Technical Data

EnergyLabelCH	B
A_Spout_Spray	10 l/min (3 bar)
ATT-KWC-EL_STEUERUNG	1
ATT-KWC-LICHT	2
Connection	04
ATT-KWC-AUSLAUF	2
ATT-KWC-STROMVERSORGUNG	2
Handling	3
Kitchen_spray	1
ATT-KWC-FARBCODE	F000
Installation_type	1
Faucet_typ	01
ATT-KWC-BAUFORM	3
Measure_Height	362

B
10 l/min (3 bar)
1
2
04
2
2
3
1
F000
1
01
3
362





**KWC** KIO  
Kitchen - with LED-technology

**Modell-Linie: KIO | 10.481.232.000FL**  
Kranar | Elektronické armatury

---

G\_Acoustic\_group

---

1

---

Projection\_A

---

A220