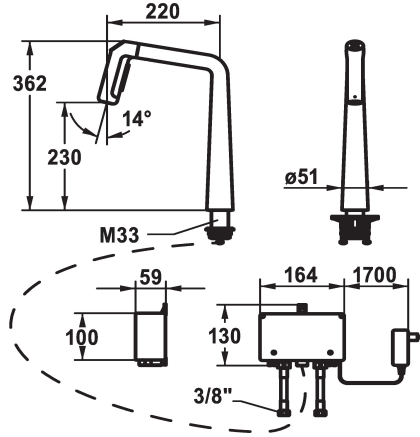


KWC KIO Kitchen - with LED-technology

Modell-Linie: KIO | 10.481.232.176FL
Taps | Electronic taps



KWC-No.

125193
chromeline, A 220, flexible connection hoses, mains receiver

125194
matt black, A 220, flexible connection hoses, mains receiver

125195
decor steel, A 220, flexible connection hoses, mains receiver

Color code

chrome

matt black

decor steel

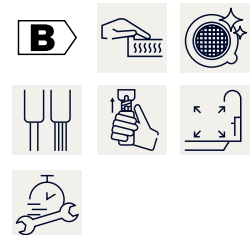
- * IntelligentControl - electronic control
- * gap between wall and centre of mounting hole min. 26 mm
- * TouchProtect - anti-scald protection thanks to the "double skin" principle
- * Microprocessor-control
- touch'n'flow 1: cold water, 50% flow rate can be individually adjusted and saved
- touch'n'flow 2: warm water, 50% flow rate can be individually adjusted and saved
- touch'n'flow 3: hot water, 50% flow rate can be individually adjusted and saved
- with cleaning programme
- * Pull-out spray ergonomic spout alignment, shape and handling
- SprayClean - easy to clean and actively prevents limescale buildup
- Neoperl® Perlator® laminar
- PowerClean - needle spray mode, with automatic diverter reset
- Integrated control unit

- up to 500 mm pull-out length
- * Hose guide, swivelling 150°, can be extended to 360°
- * EasyLock - a pull-out spray that easily slides back into place
- * OptimalSpace - ample space for washing or working
- * KWC control unit, maintenance-free
- up-to-date microprocessor and drive technology
- tried-and-tested valve technology
- with-out installation materials
- designed for wired connection to 1 operating unit (standard)
- * Flexible connection hoses 3/8"
- * QuickInstallation - Fastening via threaded connection with locking screws
- * Mounting hole size ø35 mm
- * Scope of delivery:
- Mains receiver 100-240 V / operating voltage 12 V / cable length 2000 mm
- * To be ordered separately (optional or if necessary):
- Swivel range limited to 120° Z.538.320

Technical Data

Energy Label
Flow rate
Electronical control
Light
Connection
Spout
Power supply
Handling
Kitchenspray
Color code
Installation_type
Faucet_typ
Design
Measure Height

B
10 l/min (3 bar)
1-Temperature exchange equipme
2-Screens, monitors etc
Thermosatic
2-Screens, monitors etc
2-Screens, monitors etc
3-Lamps
1-Temperature exchange equipme
matt black
1-Temperature exchange equipme
Lever mixer
3-Lamps
362





KWC KIO
Kitchen - with LED-technology

Modell-Linie: KIO | 10.481.232.176FL
Taps | Electronic taps

Acoustic group

Projection_A

1-Temperature exchange equipme

A 220
