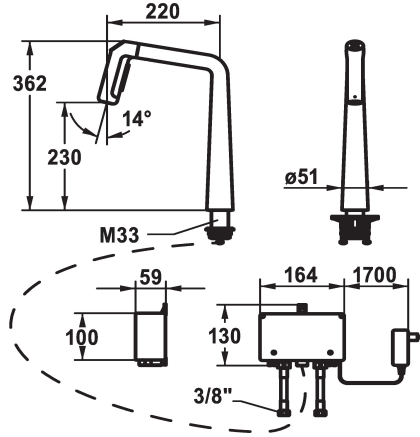


## KWC KIO Kitchen - with LED-technology

Modell-Linie: KIO | 10.481.232.127FL  
Taps | Electronic taps



### KWC-No.

**125193**  
chromeline, A 220, flexible connection hoses, mains receiver

**125194**  
matt black, A 220, flexible connection hoses, mains receiver

**125195**  
decor steel, A 220, flexible connection hoses, mains receiver

### Color code

chrome

matt black

decor steel

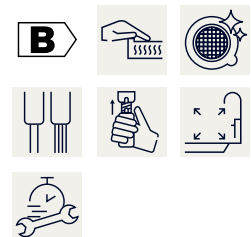
- \* IntelligentControl - electronic control
- \* gap between wall and centre of mounting hole min. 26 mm
- \* TouchProtect - anti-scald protection thanks to the "double skin" principle
- \* Microprocessor-control
- touch'n'flow 1: cold water, 50% flow rate can be individually adjusted and saved
- touch'n'flow 2: warm water, 50% flow rate can be individually adjusted and saved
- touch'n'flow 3: hot water, 50% flow rate can be individually adjusted and saved
- with cleaning programme
- \* Pull-out spray ergonomic spout alignment, shape and handling
- SprayClean - easy to clean and actively prevents limescale buildup
- Neoperl® Perlator® laminar
- PowerClean - needle spray mode, with automatic diverter reset
- Integrated control unit

- up to 500 mm pull-out length
- \* Hose guide, swivelling 150°, can be extended to 360°
- \* EasyLock - a pull-out spray that easily slides back into place
- \* OptimalSpace - ample space for washing or working
- \* KWC control unit, maintenance-free
- up-to-date microprocessor and drive technology
- tried-and-tested valve technology
- with-out installation materials
- designed for wired connection to 1 operating unit (standard)
- \* Flexible connection hoses 3/8"
- \* QuickInstallation - Fastening via threaded connection with locking screws
- \* Mounting hole size ø35 mm
- \* Scope of delivery:
- Mains receiver 100-240 V / operating voltage 12 V / cable length 2000 mm
- \* To be ordered separately (optional or if necessary):
- Swivel range limited to 120° Z.538.320

### Technical Data

Energy label	B
Flow rate	10 l/min (3 bar)
Electronical control	yes
Light	2
Connection	Thermosatic
Spout	2
Power supply	2
Handling	3
Kitchenspray	yes
Color code	decor steel
Installation type	yes
Faucet_typ	Lever mixer
Design	3
Measure Height	362

B
10 l/min (3 bar)
yes
2
Thermosatic
2
2
3
yes
decor steel
yes
Lever mixer
3
362





**KWC** KIO  
Kitchen - with LED-technology

**Modell-Linie: KIO | 10.481.232.127FL**  
Taps | Electronic taps

Acoustic group	yes
Projection A	A 220