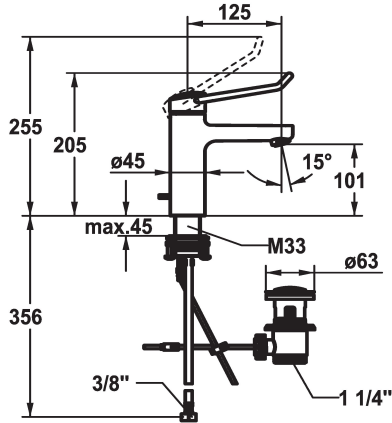


## KWC VITA PRO 2.0 Lever mixer - Basin

Modell-Linie: VITA PRO 2.0 | 12.528.041.000FL  
Taps | Manual taps



### KWC-No.

**125224**  
chromeline, A 125, flexible connection hoses, with pop-up valve

**125225**  
chromeline, A 125, flexible connection hoses, without pop-up valve

- \* Lever mixer
- \* Operation designed for a secure grip, as well as safe and easy handling
- \* Ergonomic and robust operating lever, made of polyamide
  - to adjust the handling even better to suit personal requirements, the offset lever can be installed so that it is twisted into the cap (standard: see illustration)
- \* EcoProtect - water-saving device
- \* Fixed spout
  - Neoperl® Perlator® laminar
- \* KWC cartridge M 35 OP

### pop-up assembly

with pop-up valve

without pop-up valve

- with ceramic discs
- flow rate and temperature continuously variable
- temperature limitation
- Reinforced stopper for output volume and temperature (standard setting)
- \* Flexible connection hoses 3/8"
- \* QuickInstallation - Fastening via threaded connection with locking screws
- \* Mounting hole size ø35 mm
- \* Scope of delivery:
  - KWC pop-up valve Z.538.581.000

### Technical Data

Flow rate	5,8 l/min (3 bar)
pop-up assembly	with pop-up valve
Connection	Flexible connection hoses
Spout	fixed
Handling	top lever
Color code	chromeline
Installation type	Pillar installation
Faucet_typ	Faucet
Dimension Height	205
Acoustic group	yes
Projection A	A 125
Energy label	A
Dimension Water outlet	101
material	Brass

Flow rate	5,8 l/min (3 bar)
pop-up assembly	with pop-up valve
Connection	Flexible connection hoses
Spout	fixed
Handling	top lever
Color code	chromeline
Installation type	Pillar installation
Faucet_typ	Faucet
Dimension Height	205
Acoustic group	yes
Projection A	A 125
Energy label	A
Dimension Water outlet	101
material	Brass

