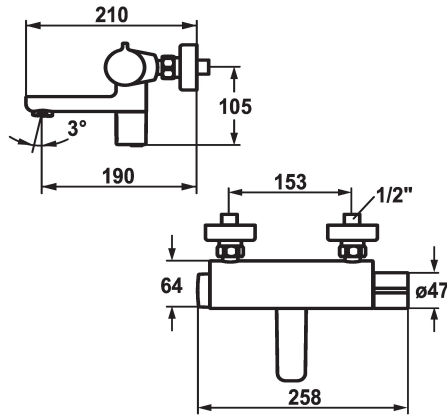
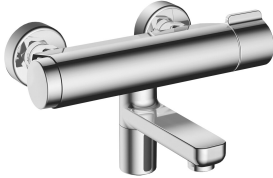


KWC IQUA

Thermostatic mixer - Automatic, non-contact - Basin

Modell-Linie: IQUA | 11.692.083.000



KWC-No.

125261
chromeline, AD 153, A 200, battery

125323
chromeline, AD 153, A 200, without wall connections, battery

- * Automatic controled design
- * Infrared sensor thermostatico W35
- * SkinProtect - Safety stop prevents scalding
- * Microprocessor-control
- flow time adjustable (1 second factory setting)
- short time off (cleaning) activatable
- continuous water flow (filling) activatable
- sensor sensitivity adjustable permanent, automatic self-calibration
- 12- or 24-hour-hygiene flushing activatable

- * Fixed spout
- Neoperl® Cascade®
- * Electrovalve
- * Wall connections ½" x ½", with shut-off valve L 40
- * Scope of delivery:
 - Battery 6 V Lithium CRP2
 - lifespan at 100 circuits/day; 4 years
- 3 Avoid using infrared controls near highly reflective surfaces (e.g. mirrors, polished stainless steel basins) as this could cause them to activate accidentally or malfunction.

Dane techniczne

ATT-KWC-EL_STEUERUNG	3
ATT-KWC-AUSLAUF	fest
ATT-KWC-STROMVERSORGUNG	1
ATT-KWC-FARBCODE	F000
Installation_type	2
Faucet_typ	06
G_Acoustic group	1
Projection_A	A200
EnergyLabelCH	B
Connection measure	AD02

