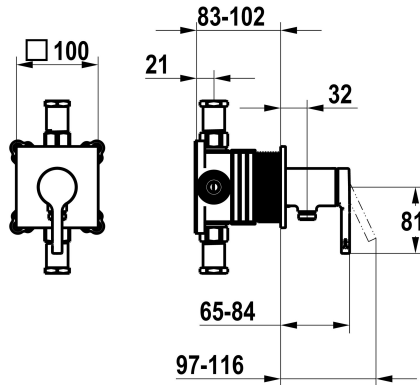


KWC AVA 2.0

Trim kit, with safety device DIN EN 1717 – Lever mixer – Shower

Modell-Linie: AVA 2.0 | 21.464.550.000
Sprchové armatury | Hydraulické sprchy



KWC-No.

125289
chromeline, trim kit, with safety device DIN EN 1717

NEW

- * Trim kit with function unit KWC HOMEBOX
- * Outflow with integrated hose connection
- * KWC cartridge M 35-S HF
 - with ceramic discs
 - flow rate and temperature continuously variable

- * Scope of delivery:
 - Lever mixer unit with integrated hose connection
 - Fastening of the cover plate without screws
- * To be ordered separately:
 - Unit for concealed installation KWC HOMEBOX Lever mixer 1 Consumers 39.006.251.931

Technické údaje

ATT-KWC-A_ABGANG_UP	12 l/min (3bar)
Handling	0,2
ATT-KWC-FARBCODE	F000
Installation_type	2
Faucet_typ	01
G_Acoustic group	yes
ATT-KWC-UNTERPUTZ	4

Náhradní díly



Cartridge M 35-S HF

537602
Z.537.602