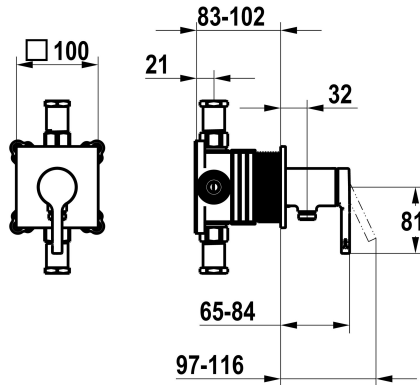


KWC AVA 2.0

Trim kit, with safety device DIN EN 1717 – Lever mixer – Shower

Modell-Linie: AVA 2.0 | 21.464.550.000
Showers | Manual shower



KWC-No.

125289
chromeline, trim kit, with safety device DIN EN 1717

NEW

- * Trim kit with function unit KWC HOMEBOX
- * Outflow with integrated hose connection
- * KWC cartridge M 35-S HF
 - with ceramic discs
 - flow rate and temperature continuously variable

- * Scope of delivery:
 - Lever mixer unit with integrated hose connection
 - Fastening of the cover plate without screws
- * To be ordered separately:
 - Unit for concealed installation KWC HOMEBOX Lever mixer 1 Consumers 39.006.251.931

Technical Data

Flow rate
Handling
Color code
Installation_type
Faucet_typ
Acoustic group
Concealed unit

12 l/min (3bar)
3-Lamps
chrome
2-Screens, monitors etc
Lever mixer
1-Temperature exchange equipme
4-Large equipment

Spare Parts



Cartridge M 35-S HF

537602
Z.537.602