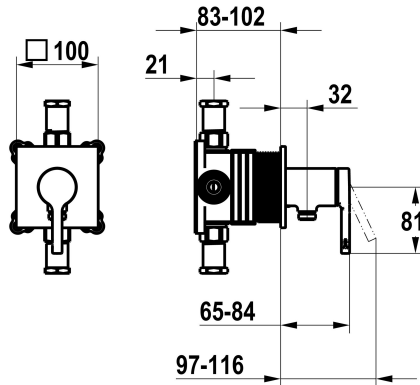


## KWC AVA 2.0

Trim kit, with safety device DIN EN 1717 – Lever mixer – Shower

Modell-Linie: AVA 2.0 | 21.464.550.000

Armatura natryskowa | Armatura z zaworami obsługiwanymi ręcznie



### KWC-No.

**125289**

chromeline, trim kit, with safety device DIN EN 1717

NEW

- \* Trim kit with function unit KWC HOMEBOX
- \* Outflow with integrated hose connection
- \* KWC cartridge M 35-S HF
- with ceramic discs
- flow rate and temperature continuously variable

- \* Scope of delivery:
  - Lever mixer unit with integrated hose connection
  - Fastening of the cover plate without screws
- \* To be ordered separately:
  - Unit for concealed installation KWC HOMEBOX Lever mixer 1 Consumers 39.006.251.931

### Dane techniczne

|                     |                 |
|---------------------|-----------------|
| ATT-KWC-A_ABGANG_UP | 12 l/min (3bar) |
| Handling            | 3               |
| ATT-KWC-FARBCODE    | F000            |
| Installation_type   | 2               |
| Faucet_typ          | 01              |
| G_Acoustic group    | 1               |
| ATT-KWC-UNTERPUTZ   | 4               |

### Części zamienne



### Cartridge M 35-S HF

**537602**

Z.537.602