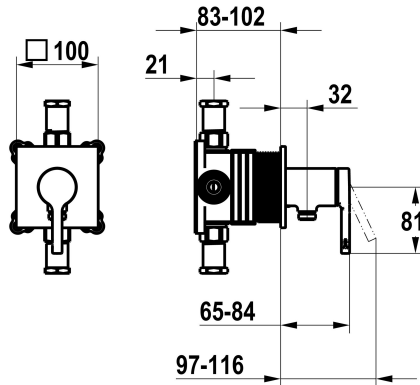


## KWC AVA 2.0

Trim kit, with safety device DIN EN 1717 – Lever mixer – Shower

Modell-Linie: AVA 2.0 | 21.464.550.000

Duschar | Hydraulické sprchy



### KWC-No.

**125289**

chromeline, trim kit, with safety device DIN EN 1717

NEW

- \* Trim kit with function unit KWC HOMEBOX
- \* Outflow with integrated hose connection
- \* KWC cartridge M 35-S HF
  - with ceramic discs
  - flow rate and temperature continuously variable

- \* Scope of delivery:
  - Lever mixer unit with integrated hose connection
  - Fastening of the cover plate without screws
- \* To be ordered separately:
  - Unit for concealed installation KWC HOMEBOX Lever mixer 1 Consumers 39.006.251.931

### Technical Data

ATT-KWC-A\_ABGANG\_UP

12 l/min (3bar)

Handling

3

ATT-KWC-FARBCODE

F000

Installation\_type

2

Faucet\_typ

01

G\_Acoustic group

1

ATT-KWC-UNTERPUTZ

4

### Reservdelar



### Cartridge M 35-S HF

**537602**

Z.537.602