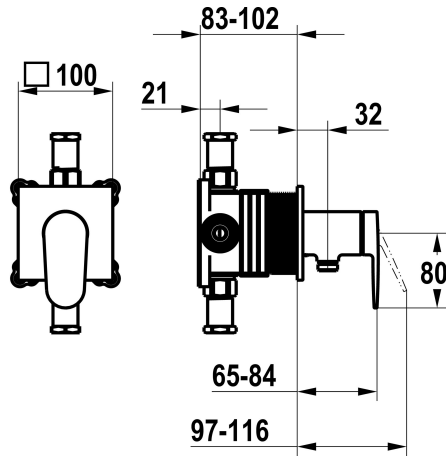


## KWC ELLA

Trim kit, with safety device DIN EN 1717 – Lever mixer – Shower

Modell-Linie: ELLA | 21.384.550.000  
Showers | Manual shower



### KWC-No.

**125292**  
chromeline, trim kit, with safety device DIN EN 1717

NEW

- \* Trim kit with function unit KWC HOMEBOX
- \* Outflow with integrated hose connection above or below for the second consumer with CHOICE diverter without automatic reset
- \* KWC cartridge M 35-S HF
  - with ceramic discs
  - flow rate and temperature continuously variable

- \* Scope of delivery:
  - Lever mixer unit
  - Diverter unit
  - Hose connection unit
  - Fastening of the cover plate without screws
- \* To be ordered separately:
  - Unit for concealed installation KWC HOMEBOX Thermostatic/ lever mixer 2 consumers 39.006.261.931

### Technical Data

Flow rate	12 l/min (3bar)
Handling	3-Lamps
Color code	chrome
Installation_type	2-Screens, monitors etc
Faucet_typ	Lever mixer
Acoustic group	1-Temperature exchange equipme
Concealed unit	4-Large equipment

### Spare Parts



### Cartridge M 35-S HF

**537602**  
Z.537.602