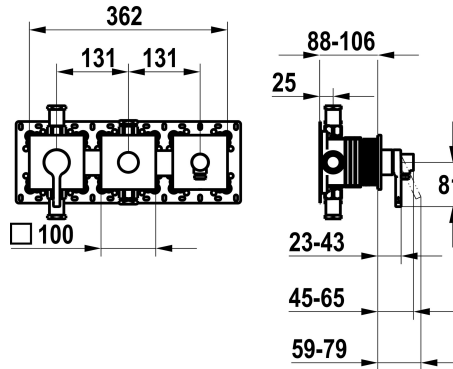


## KWC AVA 2.0

Trim kit, with safety device DIN EN 1717 – Lever mixer – Tub

Modell-Linie: AVA 2.0 | 20.464.550.000

Duschar | Badkarsarmaturer



### KWC-No.

**125293**

chromeline, trim kit, with safety device DIN EN 1717

\* Trim kit with function unit KWC HOMEBOX

\* Outflow  
with integrated hose connection  
above or below for the second consumer with CHOICE diverter  
without automatic reset

\* KWC cartridge M 35-S HF

- with ceramic discs  
- flow rate and temperature continuously variable

\* Scope of delivery:

- Lever mixer unit  
- Diverter unit  
- Hose connection unit  
- Fastening of the cover plate without screws

\* To be ordered separately:

- Unit for concealed installation KWC HOMEBOX Thermostatic/ lever  
mixer 2 consumers 39.006.261.931

NEW

### Technical Data

ATT-KWC-A\_ABGANG\_UP

20 l/min (3bar)

Handling

3

ATT-KWC-FARBCODE

F000

Installation\_type

2

Faucet\_typ

01

ATT-KWC-UNTERPUTZ

4

### Reservdelar



### Cartridge M 35-S HF

**537602**

Z.537.602