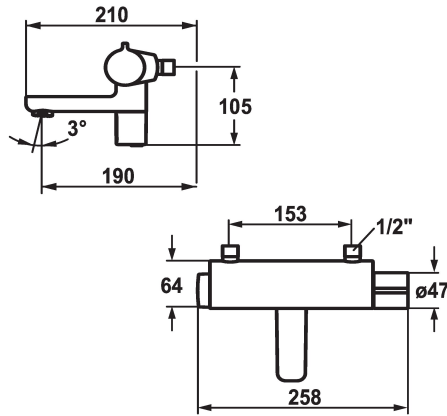


KWC IQUA

Thermostatic mixer - Automatic, non-contact - Basin

Modell-Linie: IQUA | 11.692.083.000OR

Valves | Thermostatic mixing valve



KWC-No.

125261
chromeline, AD 153, A 200, battery

125323
chromeline, AD 153, A 200, without wall connections, battery

- * Automatic controled design
- * Infrared sensor thermostatico W35
- * SkinProtect - Safety stop prevents scalding
- * Microprocessor-control
- flow time adjustable (1 second factory setting)
- short time off (cleaning) activatable
- continuous water flow (filling) activatable
- sensor sensitivity adjustable permanent, automatic self-calibration
- 12- or 24-hour-hygiene flushing activatable

- * Fixed spout
- Neoperl® Cascade®
- * Electrovalve
- * Scope of delivery:
- Battery 6 V Lithium CRP2
- lifespan at 100 circuits/day: 4 years
- 3 Avoid using infrared controls near highly reflective surfaces (e.g. mirrors, polished stainless steel basins) as this could cause them to activate accidentally or malfunction.

Technical Data

Electronical control
Connection
Spout
Power supply
Color code
Installation type
Faucet_typ
Acoustic group
Projection A
Energy label
Connection measure

3
without connections
yes
yes
chrome
2
G 3/4"1
yes
A 200
B
153-1

