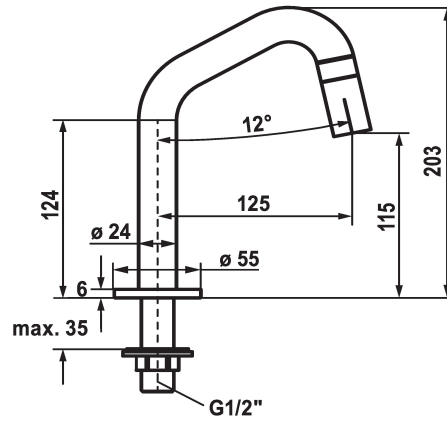


KWC STANDVENTIL Vertical shut-off valve

Modell-Linie: STANDVENTIL | 25.001.011.700
Taps | Manual taps



KWC-No.

125328
stainless steel, A 125, G 1/2"

125329
industrial black, A 125, G 1/2"

Color code

stainless steel

industrial black

* Vertical shut-off valve
* Operating handle integrated into the spout
* Fixed spout
- Neoperl® Caché®

* Ceramic disc valve 1/2" 90°
* Connecting thread 1/2"
* Mounting hole size ø22mm or ø35mm

Technical Data

Flow rate
Connection
Handling
Color code
Installation type
Faucet_typ
Design
Dimension Height
Acoustic group
Projection A
Energy label

5 l/min (3 bar)
G 1/2"
front lever
stainless steel
Pillar installation
G 3/8"1
J-Spout
203
yes
A 125
A

