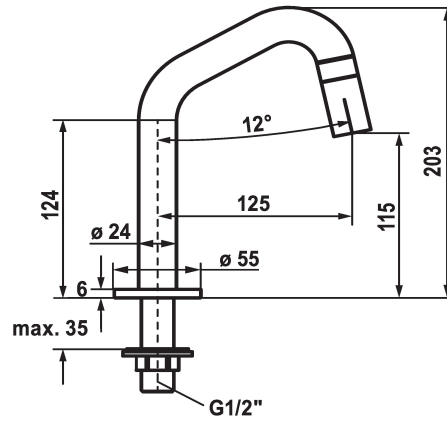


KWC STANDVENTIL Vertical shut-off valve

Modell-Linie: **STANDVENTIL** | 25.001.011.700
Taps | Manual taps



KWC-No.

125328
stainless steel, A 125, G 1/2"

125329
industrial black, A 125, G 1/2"

- * Vertical shut-off valve
- * Operating handle integrated into the spout
- * Fixed spout
- Neoperl® Caché®

Color code

stainless steel

industrial black

- * Ceramic disc valve 1/2" 90°
- * Connecting thread 1/2"
- * Mounting hole size 22mm or 35mm

Technical Data

Flow rate	5 l/min (3 bar)
Connection	G 1/2"
Handling	front lever
Color code	stainless steel
Installation type	Pillar installation
Faucet_typ	G 3/8"1
Design	J-Spout
Measure Height	203
Acoustic group	yes
Projection A	A 125
Energy label	A

Flow rate	5 l/min (3 bar)
Connection	G 1/2"
Handling	front lever
Color code	stainless steel
Installation type	Pillar installation
Faucet_typ	G 3/8"1
Design	J-Spout
Measure Height	203
Acoustic group	yes
Projection A	A 125
Energy label	A

