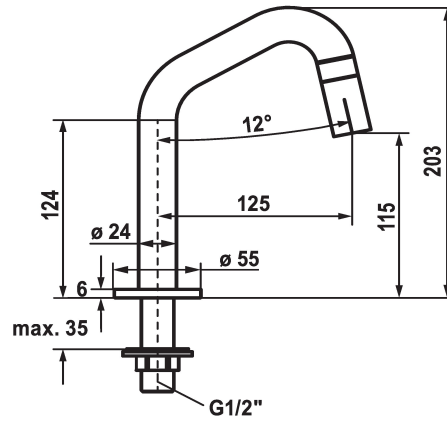


## KWC STANDVENTIL Vertical shut-off valve

Modell-Linie: STANDVENTIL | 25.001.011.700  
Hanat | Käsi käyttöiset hanat



### KWC-No.

**125328**  
stainless steel, A 125, G 1/2"

**125329**  
industrial black, A 125, G 1/2"

- \* Vertical shut-off valve
- \* Operating handle integrated into the spout
- \* Fixed spout
- Neoperl® Caché®

### ATT-KWC-FARBCODE

stainless steel

industrial black

- \* Ceramic disc valve 1/2" 90°
- \* Connecting thread 1/2"
- \* Mounting hole size ø22mm or ø35mm

### Tekniset tiedot

A\_Spout\_Spray

Connection

Handling

ATT-KWC-FARBCODE

Installation\_type

Faucet\_typ

ATT-KWC-BAUFORM

Measure\_Height

G\_Acoustic group

Projection\_A

EnergyLabelCH

lviCode

5 l/min (3 bar)

G1/2"

frontbedient

stainless steel

Standmontage

09

J-Spout

203

yes

A125

A

0

