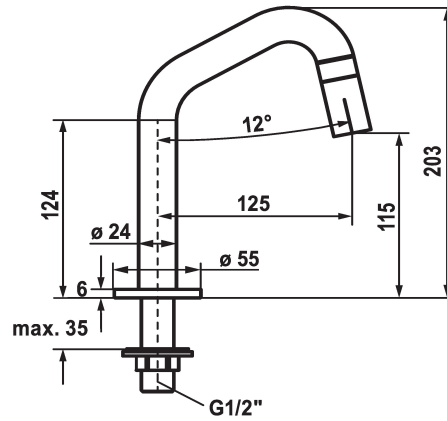


## KWC STANDVENTIL Vertical shut-off valve

Modell-Linie: STANDVENTIL | 25.001.011.751  
Taps | Manual taps



### KWC-No.

**125328**  
stainless steel, A 125, G 1/2"

**125329**  
industrial black, A 125, G 1/2"

- \* Vertical shut-off valve
- \* Operating handle integrated into the spout
- \* Fixed spout
- Neoperl® Caché®

### Color code

stainless steel

industrial black

- \* Ceramic disc valve 1/2" 90°
- \* Connecting thread 1/2"
- \* Mounting hole size 22mm or 35mm

### Technical Data

Flow rate
Connection
Handling
Color code
Installation type
Faucet_typ
Design
Dimension Height
Acoustic group
Projection A
Energy label

5 l/min (3 bar)
G 1/2"
front lever
industrial black
Pillar installation
G 3/8"1
J-Spout
203
yes
A 125
A

