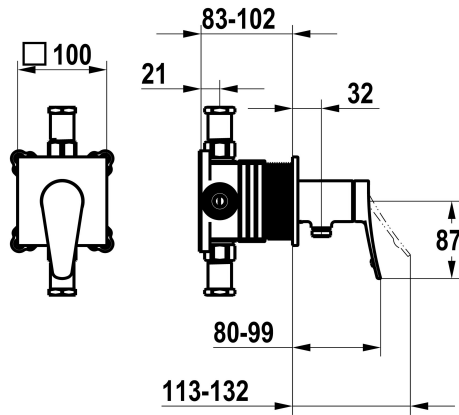


## KWC ACTIVO

Trim kit, with safety device DIN EN 1717 – Lever mixer – Shower

Modell-Linie: ACTIVO | 21.404.550.000  
Showers | Manual shower



### KWC-No.

**125332**  
chromeline, trim kit, with safety device DIN EN 1717

NEW

- \* Trim kit with function unit KWC HOMEBOX
- \* Outflow with integrated hose connection
- \* KWC cartridge M 35-S HF
  - with ceramic discs
  - flow rate and temperature continuously variable

- \* Scope of delivery:
  - Lever mixer unit with integrated hose connection
  - Fastening of the cover plate without screws
- \* To be ordered separately:
  - Unit for concealed installation KWC HOMEBOX Lever mixer 1 Consumers 39.006.251.931

### Technical Data

Flow rate
Handling
Color code
Installation type
Faucet_typ
Acoustic group
Concealed unit

12 l/min (3 bar)
3
chrome
2
Lever mixer
yes
4

### Spare Parts



### Cartridge M 35-S HF

**537602**  
Z.537.602