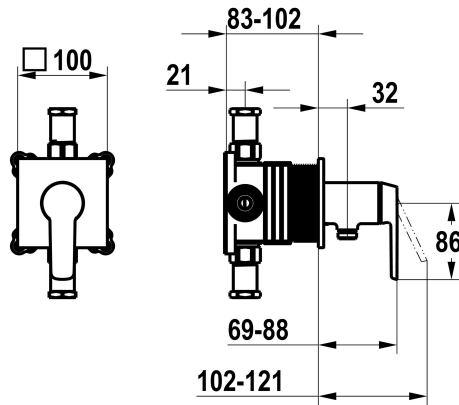


KWC MONTA

Trim kit, with safety device DIN EN 1717 – Lever mixer – Shower

Modell-Linie: MONTA | 21.414.550.000

Armatura natryskowa | Armatura z zaworami obsługiwany ręcznie



KWC-No.

125333

chromeline, trim kit, with safety device DIN EN 1717

NEW

* Trim kit with function unit KWC HOMEBOX

* Outflow

with integrated hose connection

* KWC cartridge M 35-S HF

- with ceramic discs

- flow rate and temperature continuously variable

* Scope of delivery:

- Lever mixer unit with integrated hose connection

- Fastening of the cover plate without screws

* To be ordered separately:

- Unit for concealed installation KWC HOMEBOX Lever mixer 1

Consumers 39.006.251.931

Dane techniczne

ATT-KWC-A_ABGANG_UP

12 l/min (3 bar)

Handling

3

ATT-KWC-FARBCODE

F000

Installation_type

2

Faucet_typ

01

G_Acoustic group

1

ATT-KWC-UNTERPUTZ

4

Części zamienne



Cartridge M 35-S HF

537602

Z.537.602