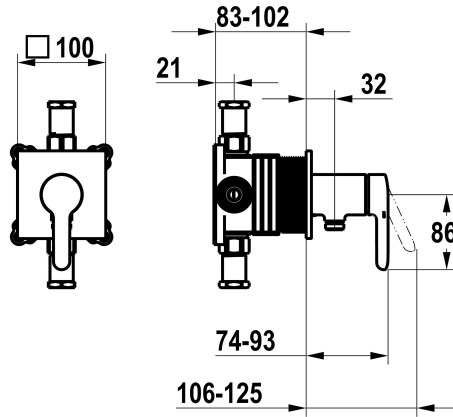


KWC WAMAS 2.0

Trim kit, with safety device DIN EN 1717 – Lever mixer – Shower

Modell-Linie: WAMAS 2.0 | 21.474.550.000

Showers | Manual shower



KWC-No.

125334

chromeline, trim kit, with safety device DIN EN 1717

NEW

* Trim kit with function unit KWC HOMEBOX

* Outflow with integrated hose connection

* KWC cartridge M 35-S HF

- with ceramic discs

- flow rate and temperature continuously variable

* Scope of delivery:

- Lever mixer unit with integrated hose connection

- Fastening of the cover plate without screws

* To be ordered separately:

- Unit for concealed installation KWC HOMEBOX Lever mixer 1

Consumers 39.006.251.931

Technical Data

Flow rate

12 l/min (3 bar)

Handling

3-Lamps

Color code

chrome

Installation_type

2-Screens, monitors etc

Faucet_typ

Lever mixer

Acoustic group

1-Temperature exchange equipme

Concealed unit

4-Large equipment

Spare Parts



Cartridge M 35-S HF

537602

Z.537.602