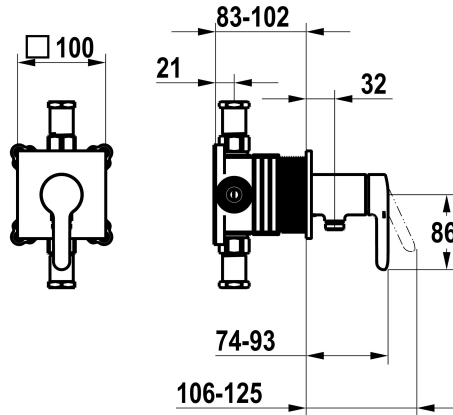


## KWC WAMAS 2.0

Trim kit, with safety device DIN EN 1717 – Lever mixer – Shower

Modell-Linie: WAMAS 2.0 | 21.474.550.000

Showers | Manual shower



### KWC-No.

**125334**

chromeline, trim kit, with safety device DIN EN 1717

NEW

\* Trim kit with function unit KWC HOMEBOX

\* Outflow

with integrated hose connection

\* KWC cartridge M 35-S HF

- with ceramic discs

- flow rate and temperature continuously variable

\* Scope of delivery:

- Lever mixer unit with integrated hose connection

- Fastening of the cover plate without screws

\* To be ordered separately:

- Unit for concealed installation KWC HOMEBOX Lever mixer 1

Consumers 39.006.251.931

### Technical Data

Flow rate	12 l/min (3 bar)
Handling	3
Color code	chrome
Installation type	2
Faucet_typ	Lever mixer
Acoustic group	yes
Concealed unit	4

Flow rate	12 l/min (3 bar)
Handling	3
Color code	chrome
Installation type	2
Faucet_typ	Lever mixer
Acoustic group	yes
Concealed unit	4

### Spare Parts



### Cartridge M 35-S HF

**537602**

Z.537.602