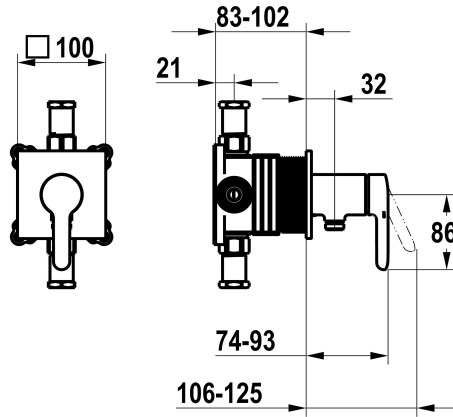


## KWC WAMAS 2.0

Trim kit, with safety device DIN EN 1717 – Lever mixer – Shower

Modell-Linie: WAMAS 2.0 | 21.474.550.000

Duschar | Hydraulické sprchy



### KWC-No.

**125334**

chromeline, trim kit, with safety device DIN EN 1717

NEW

\* Trim kit with function unit KWC HOMEBOX

\* Outflow

with integrated hose connection

\* KWC cartridge M 35-S HF

- with ceramic discs

- flow rate and temperature continuously variable

\* Scope of delivery:

- Lever mixer unit with integrated hose connection

- Fastening of the cover plate without screws

\* To be ordered separately:

- Unit for concealed installation KWC HOMEBOX Lever mixer 1

Consumers 39.006.251.931

### Technical Data

ATT-KWC-A\_ABGANG\_UP

12 l/min (3 bar)

Handling

3

ATT-KWC-FARBCODE

F000

Installation\_type

2

Faucet\_typ

01

G\_Acoustic group

1

ATT-KWC-UNTERPUTZ

4

### Reservdelar



### Cartridge M 35-S HF

**537602**

Z.537.602