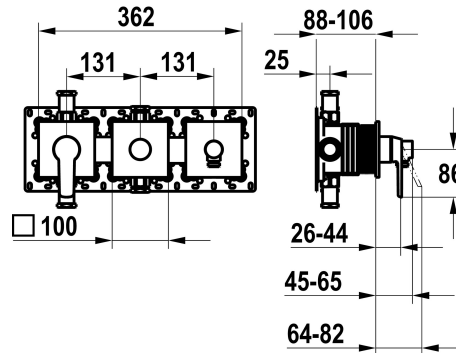


## KWC MONTA

Trim kit, with safety device DIN EN 1717 – Lever mixer – Tub

Modell-Linie: MONTA | 20.414.550.000

Showers | Exposed bath mixer



### KWC-No.

**125336**

chromeline, trim kit, with safety device DIN EN 1717

\* Trim kit with function unit KWC HOMEBOX

\* Outflow with integrated hose connection above or below for the second consumer with CHOICE diverter without automatic reset

\* KWC cartridge M 35-S HF

- with ceramic discs  
- flow rate and temperature continuously variable

\* Scope of delivery:

- Lever mixer unit  
- Diverter unit  
- Hose connection unit  
- Fastening of the cover plate without screws

\* To be ordered separately:

- Unit for concealed installation KWC HOMEBOX Thermostatic/ lever mixer 2 consumers 39.006.261.931

NEW

### Technical Data

Flow rate	20 l/min (3bar)
Handling	3
Color code	chrome
Installation type	2
Faucet_typ	Lever mixer
Concealed unit	4

Flow rate	20 l/min (3bar)
Handling	3
Color code	chrome
Installation type	2
Faucet_typ	Lever mixer
Concealed unit	4

### Spare Parts



### Cartridge M 35-S HF

**537602**

Z.537.602