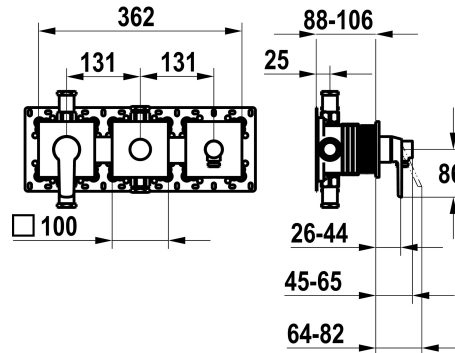


KWC MONTA

Trim kit, with safety device DIN EN 1717 – Lever mixer – Tub

Modell-Linie: MONTA | 20.414.550.000

Suihkut ja suihkupaneelit | Allashanat



KWC-No.

125336

chromeline, trim kit, with safety device DIN EN 1717

* Trim kit with function unit KWC HOMEBOX

* Outflow with integrated hose connection above or below for the second consumer with CHOICE diverter without automatic reset

* KWC cartridge M 35-S HF

- with ceramic discs
- flow rate and temperature continuously variable

* Scope of delivery:

- Lever mixer unit
- Diverter unit
- Hose connection unit
- Fastening of the cover plate without screws

* To be ordered separately:

- Unit for concealed installation KWC HOMEBOX Thermostatic/ lever mixer 2 consumers 39.006.261.931

NEW

Tekniset tiedot

ATT-KWC-A_ABGANG_UP

20 l/min (3bar)

Handling

3

ATT-KWC-FARBCODE

F000

Installation_type

2

Faucet_typ

01

ATT-KWC-UNTERPUTZ

4

lviCode

0

Varaosat



Cartridge M 35-S HF

537602

Z.537.602