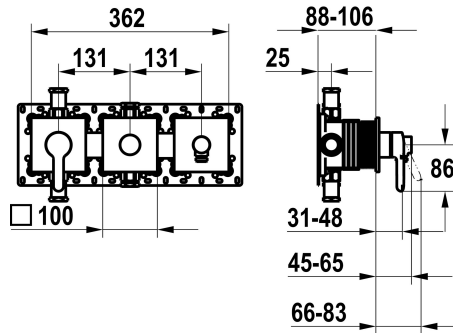


KWC WAMAS 2.0

Trim kit, with safety device DIN EN 1717 – Lever mixer – Tub

Modell-Linie: WAMAS 2.0 | 20.474.550.000

Duschar | Badkarsarmaturer



KWC-No.

125337

chromeline, trim kit, with safety device DIN EN 1717

* Trim kit with function unit KWC HOMEBOX

* Outflow with integrated hose connection above or below for the second consumer with CHOICE diverter without automatic reset

* KWC cartridge M 35-S HF

- with ceramic discs
- flow rate and temperature continuously variable

* Scope of delivery:

- Lever mixer unit
- Diverter unit
- Hose connection unit
- Fastening of the cover plate without screws

* To be ordered separately:

- Unit for concealed installation KWC HOMEBOX Thermostatic/ lever mixer 2 consumers 39.006.261.931

NEW

Technical Data

ATT-KWC-A_ABGANG_UP

20 l/min (3bar)

Handling

3

ATT-KWC-FARBCODE

F000

Installation_type

2

Faucet_typ

01

ATT-KWC-UNTERPUTZ

4

Reservdelar



Cartridge M 35-S HF

537602

Z.537.602