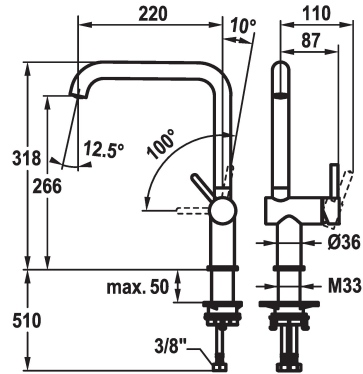


KWC BEVO E Lever mixer - Kitchen

Modell-Linie: BEVO E | 10.531.012.751FL
Taps | Manual taps



KWC-No.

125346
stainless steel, A 220, flexible connection hoses

125347
industrial black, A 220, flexible connection hoses

Color code

stainless steel

industrial black

NEW

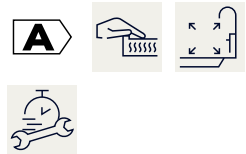
- * Lever mixer
- * Lever installation only possible on the right side
- Child safety: cold water flow in lever position towards the front
- * TouchProtect - anti-scald protection thanks to the "double skin" principle
- * Swivel spout 150°
- Neoperl® Caché® laminar
- * OptimalSpace - ample space for washing or working

- * KWC cartridge S 25
- with ceramic discs
- flow rate and temperature continuously variable
- * Flexible connection hoses 3/8"
- * QuickInstallation - Fastening via threaded connection with locking screws
- * Mounting hole size ø35 mm

Technical Data

Spray: Flow rate
Connection
Spout
Handling
Color code
Installation_type
Faucet_typ
Dimension Height
Acoustic group
Projection_A
Energy Label
Dimension Water outlet
ATT-KWC-MATERIAL

6.4 l/min (3 bar)
Flexible connection hoses
swivel
side lever
industrial black
Pillar installation
Faucet
318
Battery1
A 220
A
266
ROSTFREIER_STAHL



Spare Parts

KWC BEVO E Lever mixer - Kitchen

Modell-Linie: BEVO E | 10.531.012.751FL
Taps | Manual taps



Cartridge S 25

538711
Z.536.032



Service key Neoperl © Caché ©, JR, 21 mm, red

639017
Z.635.215
