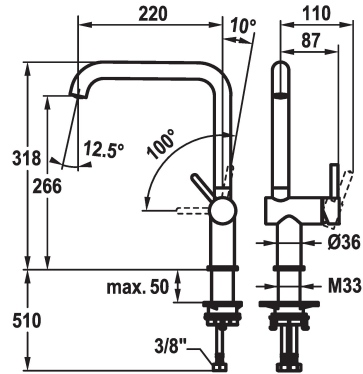


KWC BEVO E Lever mixer - Kitchen

Modell-Linie: BEVO E | 10.531.012.751FL
Kranar | Hydraulické armatúry



KWC-No.

125346
stainless steel, A 220, flexible connection hoses

125347
industrial black, A 220, flexible connection hoses

- * Lever mixer
- * Lever installation only possible on the right side
- Child safety: cold water flow in lever position towards the front
- * TouchProtect - anti-scald protection thanks to the "double skin" principle
- * Swivel spout 150°
- Neoperl® Caché® laminar
- * OptimalSpace - ample space for washing or working

ATT-KWC-FARBCODE

stainless steel

industrial black

- * KWC cartridge S 25
- with ceramic discs
- flow rate and temperature continuously variable
- * Flexible connection hoses 3/8"
- * QuickInstallation - Fastening via threaded connection with locking screws
- * Mounting hole size ø35 mm

NEW

Technical Data

A_Spray (kitchen)

Connection

ATT-KWC-AUSLAUF

Handling

ATT-KWC-FARBCODE

Installation_type

Faucet_typ

Measure_Height

G_Acoustic group

Projection_A

EnergyLabelCH

ATT-KWC-MASS-WASSERAUSTRITT

ATT-KWC-MATERIAL

6.4 l/min (3 bar)

Flexible_Anschlusschläuche

schwenkbar

seitenbedient

industrial black

Standmontage

01

318

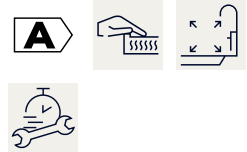
1

A220

A

266

ROSTFREIER_STAHL



Reservdelar

KWC BEVO E Lever mixer - Kitchen

Modell-Linie: BEVO E | 10.531.012.751FL
Kranar | Hydraulické armatury



Cartridge S 25

538711
Z.536.032



Service key Neoperl © Caché ©, JR, 21 mm, red

639017
Z.635.215
