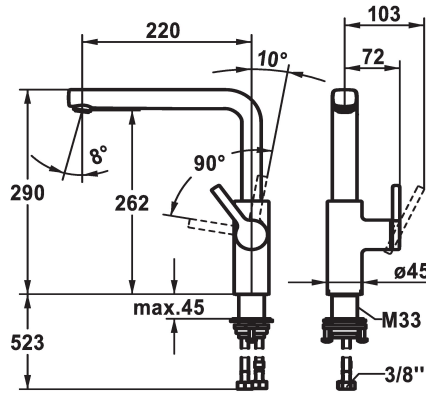


KWC AVA 2.0 Lever mixer - Kitchen

Modell-Linie: AVA 2.0 | 10.461.012.000FL
Taps | Manual taps



KWC-No.

125370
chromeline, A 220, flexible connection hoses

125371
matt black, A 220, flexible connection hoses

125372
brushed steel, A 220, flexible connection hoses

Color code

chrome

matt black

brushed steel

- * Lever installation only possible on the right side
- Child safety: cold water flow in lever position towards the front
- * gap between wall and centre of mounting hole min. 20 mm
- * SwivelStop - swivel spout 150°, extensible to 360°
- Neoperl® Cascade® SLC
- * OptimalSpace - ample space for washing or working
- * KWC cartridge M 35 S
- with ceramic discs

- flow rate and temperature continuously variable
- temperature limitation
- * Flexible connection hoses 3/8"
- * QuickInstallation - Fastening via threaded connection with locking screws
- * Mounting hole size ø35 mm
- * To be ordered separately (optional or if necessary):
- Swivel range limited to 120° Z.538.320

Technical Data

| |
|------------------------|
| Flow rate |
| Connection |
| Spout |
| Handling |
| Color code |
| Installation type |
| Faucet_typ |
| Design |
| Measure Height |
| Acoustic group |
| Projection A |
| Energy label |
| Dimension Water outlet |

| |
|---------------------------|
| 12 l/min (3bar) |
| Flexible connection hoses |
| swivel |
| side lever |
| chrome |
| Pillar installation |
| Faucet |
| L-Spout |
| 290 |
| yes |
| A 220 |
| B |
| 262 |

