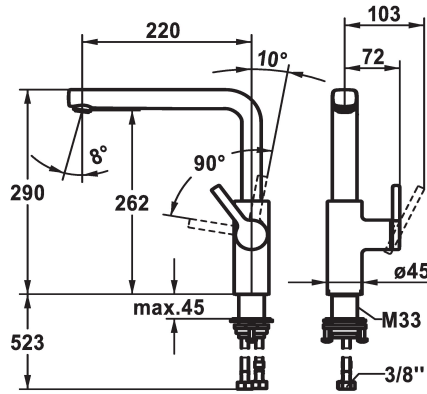


KWC AVA 2.0 Lever mixer - Kitchen

Modell-Linie: AVA 2.0 | 10.461.012.000FL
Kranar | Hydraulické armatúry



KWC-No.

125370
chromeline, A 220, flexible connection hoses

125371
matt black, A 220, flexible connection hoses

125372
brushed steel, A 220, flexible connection hoses

ATT-KWC-FARBCODE

F000

F176

F177

- * Lever installation only possible on the right side
- Child safety: cold water flow in lever position towards the front
- * gap between wall and centre of mounting hole min. 20 mm
- * SwivelStop - swivel spout 150°, extensible to 360°
- Neoperl® Cascade® SLC
- * OptimalSpace - ample space for washing or working
- * KWC cartridge M 35 S
- with ceramic discs

- flow rate and temperature continuously variable
- temperature limitation
- * Flexible connection hoses 3/8"
- * QuickInstallation - Fastening via threaded connection with locking screws
- * Mounting hole size ø35 mm
- * To be ordered separately (optional or if necessary):
- Swivel range limited to 120° Z.538.320

Technical Data

A_Spout_Spray

Connection

ATT-KWC-AUSLAUF

Handling

ATT-KWC-FARBCODE

Installation_type

Faucet_typ

ATT-KWC-BAUFORM

Measure_Height

G_Acoustic_group

Projection_A

EnergyLabelCH

ATT-KWC-MASS-WASSERAUSTRITT

12 l/min (3bar)

Flexible_Anschlussschläuche

schwenkbar

seitenbedient

F000

Standmontage

01

L-Auslauf

290

1

A220

B

262

