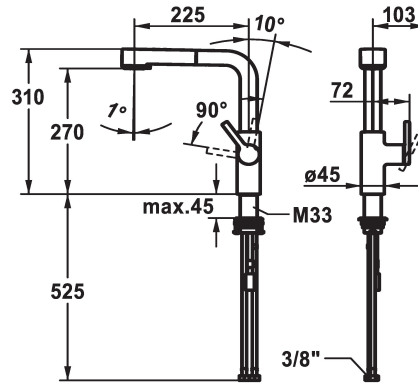


## KWC AVA 2.0 Lever mixer

Modell-Linie: AVA 2.0 | 10.461.002.177FL  
Hanat | Käsikäyttöiset hanat



### KWC-No.

**125373**  
chromeline, A 225, flexible connection hoses

**125374**  
matt black, A 225, flexible connection hoses

**125375**  
brushed steel, A 225, flexible connection hoses

### ATT-KWC-FARBCODE

chromeline

matt black

brushed steel



- \* Lever installation only possible on the right side
- Child safety: cold water flow in lever position towards the front
- \* gap between wall and centre of mounting hole min. 20 mm
- \* TouchProtect - anti-scald protection thanks to the "double skin" principle
- \* Intrinsicly safe against backflow
- \* Pull-out spray
  - SprayClean - easy to clean and actively prevents limescale buildup
  - up to 600 mm pull-out length
  - TripleClean - Normal, soft, and power stream modes
  - hose surface to fit faucet surface
  - QuickConnect - Simple hose connection system

- \* Hose guide, swivelling 150°
- \* EasyLock - a pull-out spray that easily slides back into place
- \* OptimalSpace - ample space for washing or working
- \* KWC cartridge M 35 S
  - with ceramic discs
  - flow rate and temperature continuously variable
  - temperature limitation
- \* Flexible connection hoses 3/8"
- \* QuickInstallation - Fastening via threaded connection with locking screws
- \* Mounting hole size ø35 mm
- \* To be ordered separately (optional or if necessary):
  - Swivel range limited to 120° Z.538.320

### Tekniset tiedot

ATT-KWC-A\_AUSZUGBRAUSE\_SIEB

ATT-KWC-A\_AUSZUGBRAUSE\_NORMAL

Connection

Spout

Handling

Kitchen\_spray

ATT-KWC-FARBCODE

Installation\_type

Faucet\_typ

ATT-KWC-BAUFORM

Measure\_Height

G\_Acoustic group

Projection\_A

EnergyLabelCH

ATT-KWC-MASS-WASSERAUSTRITT

Materiali

lviCode

9 l/min (3 bar)

8 l/min (3 bar)

Flexible\_Anschlusschläuche

schwenkbar

seitenbedient

Auszugbrause

brushed steel

Standmontage

01

L-Spout

310

yes

A225

A

270

Messinki

0

