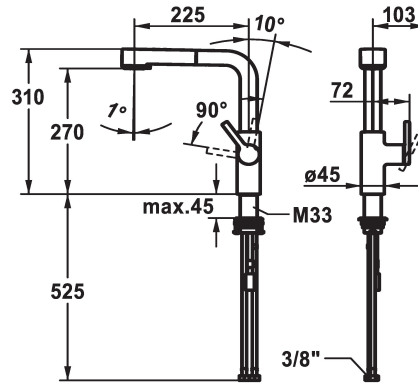


KWC AVA 2.0 Lever mixer

Modell-Linie: AVA 2.0 | 10.461.002.177FL
Kranar | Hydraulické armatury



KWC-No.

125373
chromeline, A 225, flexible connection hoses

125374
matt black, A 225, flexible connection hoses

125375
brushed steel, A 225, flexible connection hoses

ATT-KWC-FARBCODE

chromeline

matt black

brushed steel



- * Lever installation only possible on the right side
- Child safety: cold water flow in lever position towards the front
- * gap between wall and centre of mounting hole min. 20 mm
- * TouchProtect - anti-scald protection thanks to the "double skin" principle
- * Intrinsicly safe against backflow
- * Pull-out spray
 - SprayClean - easy to clean and actively prevents limescale buildup
 - up to 600 mm pull-out length
 - TripleClean - Normal, soft, and power stream modes
 - hose surface to fit faucet surface
 - QuickConnect - Simple hose connection system

- * Hose guide, swivelling 150°
- * EasyLock - a pull-out spray that easily slides back into place
- * OptimalSpace - ample space for washing or working
- * KWC cartridge M 35 S
 - with ceramic discs
 - flow rate and temperature continuously variable
 - temperature limitation
- * Flexible connection hoses 3/8"
- * QuickInstallation - Fastening via threaded connection with locking screws
- * Mounting hole size ø35 mm
- * To be ordered separately (optional or if necessary):
 - Swivel range limited to 120° Z.538.320

Technical Data

ATT-KWC-A_AUSZUGBRAUSE_SIEB

9 l/min (3 bar)

ATT-KWC-A_AUSZUGBRAUSE_NORMAL

8 l/min (3 bar)

Connection

Flexible_Anschlusschläuche

ATT-KWC-AUSLAUF

schwenkbar

Handling

seitenbedient

Kitchen_spray

Auszugbrause

ATT-KWC-FARBCODE

brushed steel

Installation_type

Standmontage

Faucet_typ

01

ATT-KWC-BAUFORM

L-Auslauf

Measure_Height

310

G_Acoustic group

1

Projection_A

A225

EnergyLabelCH

A

ATT-KWC-MASS-WASSERAUSTRITT

270

Material

Mässing

