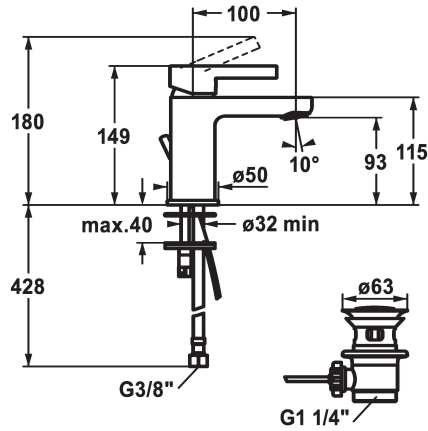


KWC FIT

Lever mixer - Basin

Modell-Linie: FIT | 12.548.041.000FL
Kranar | Hydraulické armatúry



KWC-No.

125414
chromeline, A 100, flexible connection hoses, with pop-up valve

125415
chromeline, A 100, flexible connection hoses, without pop-up valve

- * Lever mixer
- * EcoProtect - water-saving device
- * Fixed spout
- Neoperl® Perlator®
- * KWC cartridge M 35 OP
- with ceramic discs
- flow rate and temperature continuously variable

- temperature limitation
- * Flexible connection hoses 3/8"
- * Fastening by means of stud bolt M8 x 1
- * Mounting hole size ø35 mm
- * Scope of delivery:
- KWC pop-up valve Z.538.581.000

Technical Data

A_Spout_Spray	5 l/min (3 bar)
ATT-KWC-ABLAUFGARNITUR	mit_Ablaufgarnitur
Connection	Flexible_Anschlusschläuche
ATT-KWC-AUSLAUF	fest
Handling	topbedient
ATT-KWC-FARBCODE	F000
Installation_type	Standmontage
Faucet_typ	01
Measure_Height	149
G_Acoustic group	1
Projection_A	A100
EnergyLabelCH	A
ATT-KWC-MASS-WASSERAUSTRITT	93



Reservdelar

KWC FIT
Lever mixer - Basin

Modell-Linie: FIT | 12.548.041.000FL
Kranar | Hydraulické armatury



Cartridge M 35 OP

538331
Z.537.710
