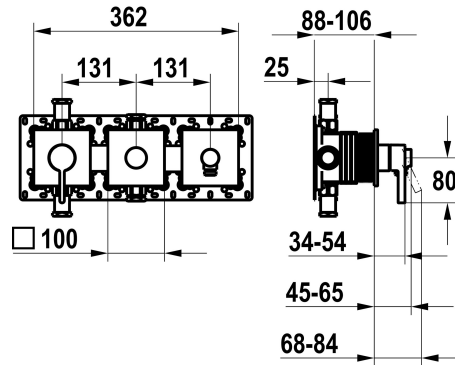


## KWC FIT

Trim kit, with safety device DIN EN 1717 – Lever mixer – Tub

Modell-Linie: FIT | 20.544.550.000  
Showers | Exposed bath mixer



### KWC-No.

**125435**  
chromeline, trim kit, with safety device DIN EN 1717

- \* Trim kit with function unit KWC HOMEBOX
- \* Outflow with integrated hose connection above or below for the second consumer with CHOICE diverter without automatic reset
- \* KWC cartridge M 35-S HF
  - with ceramic discs
  - flow rate and temperature continuously variable

- \* Scope of delivery:
  - Lever mixer unit
  - Diverter unit
  - Hose connection unit
  - Fastening of the cover plate without screws
- \* To be ordered separately:
  - Unit for concealed installation KWC HOMEBOX Thermostatic/ lever mixer 2 consumers 39.006.261.931



### Technical Data

Flow rate	20 l/min (3 bar)
Handling	3
Color code	chrome
Installation type	2
Faucet_typ	Lever mixer
Concealed unit	4

### Spare Parts



### Cartridge M 35-S HF

**537602**  
Z.537.602