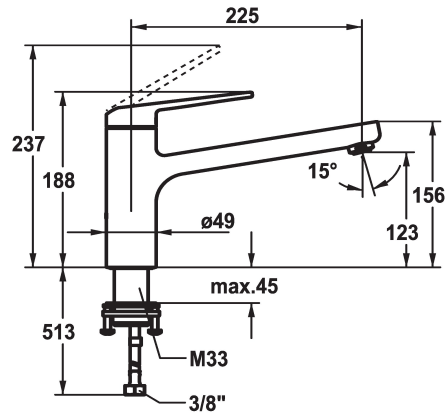


## KWC DOMO 6.0 Lever mixer - Kitchen

Modell-Linie: DOMO 6.0 | 10.661.523.000FL  
Taps | Manual taps



### KWC-No.

**125480**

chromeline, A 225, flexible connection hoses

- \* Lever mixer
- \* Swivel spout 150°
- Neoperl® Cascade® SLC
- \* OptimalSpace - ample space for washing or working
- \* KWC cartridge M 35 S
- with ceramic discs

- flow rate and temperature continuously variable
- temperature limitation
- \* Flexible connection hoses 3/8"
- \* QuickInstallation - Fastening via threaded connection with locking screws
- \* Mounting hole size ø35 mm

### Technical Data

Flow rate
Connection
Spout
Handling
Color code
Installation_type
Faucet_typ
Measure Height
Acoustic group
Projection_A
Energy Label
ATT-KWC-MASS-WASSERAUSTRITT

12 l/min (3 bar)
Flexible connection hoses
swivel
Automatic, low-contact1
chrome
Pillar installation
Faucet
188
Automatic, low-contact1
A 225
B
123

