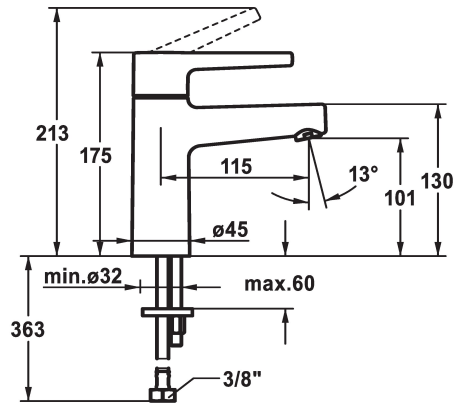


## KWC MANA Lever mixer - Basin

Modell-Linie: MANA | 12.558.051.000FL  
Taps | Manual taps



### KWC-No.

#### 125519

chromeline, A 115, flexible connection hoses, with Push Open

#### 125520

chromeline, A 115, flexible connection hoses, without pop-up valve

- \* Lever mixer
- \* EcoProtect - water-saving device
- \* Fixed spout
- Neoperl® Perlator® SSR, swivelling jet regulator
- \* KWC cartridge M 35 OP

- with ceramic discs
- flow rate and temperature continuously variable
- \* Flexible connection hoses 3/8"
- \* Fastening by means of stud bolt M8 x 1
- \* Mounting hole size 45 mm

### Technical Data

|                             |                                  |
|-----------------------------|----------------------------------|
| Flow rate                   | 5 l/min (3 bar)                  |
| pop-up assembly             | 2                                |
| Connection                  | Flexible connection hoses        |
| Spout                       | fixe                             |
| Handling                    | yes                              |
| Color code                  | chrome                           |
| Installation type           | yes                              |
| Faucet_typ                  | without connections <sup>1</sup> |
| Measure Height              | 175                              |
| Acoustic group              | yes                              |
| Projection A                | A 115                            |
| ATT-KWC-MASS-WASSERAUSTRITT | 101                              |



### Spare Parts





**KWC** MANA  
Lever mixer - Basin

**Modell-Linie: MANA | 12.558.051.000FL**  
Taps | Manual taps

**Cartridge M 35 OP**

---

**538331**  
Z.537.710

---