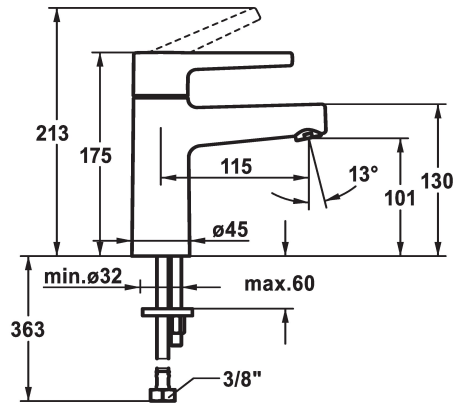
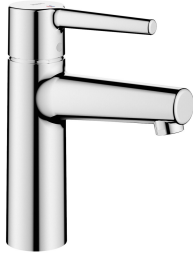


KWC MANA Lever mixer - Basin

Modell-Linie: MANA | 12.558.051.000FL
Taps | Manual taps



KWC-No.

125519

chromeline, A 115, flexible connection hoses, with Push Open

125520

chromeline, A 115, flexible connection hoses, without pop-up valve

- * Lever mixer
- * EcoProtect - water-saving device
- * Fixed spout
- Neoperl® Perlator® SSR, swivelling jet regulator
- * KWC cartridge M 35 OP

- with ceramic discs
- flow rate and temperature continuously variable
- * Flexible connection hoses 3/8"
- * Fastening by means of stud bolt M8 x 1
- * Mounting hole size 35 mm

Technical Data

Flow rate	5 l/min (3 bar)
pop-up valve	2
Connection	Flexible connection hoses
Spout	fixe
Handling	yes
Color code	chrome
Installation type	yes
Faucet_typ	without connections ¹
Measure Height	175
Acoustic group	yes
Projection A	A 115
ATT-KWC-MASS-WASSERAUSTRITT	101

Flow rate	5 l/min (3 bar)
pop-up valve	2
Connection	Flexible connection hoses
Spout	fixe
Handling	yes
Color code	chrome
Installation type	yes
Faucet_typ	without connections ¹
Measure Height	175
Acoustic group	yes
Projection A	A 115
ATT-KWC-MASS-WASSERAUSTRITT	101



Spare Parts





KWC MANA
Lever mixer - Basin

Modell-Linie: MANA | 12.558.051.000FL
Taps | Manual taps

Cartridge M 35 OP

538331
Z.537.710
