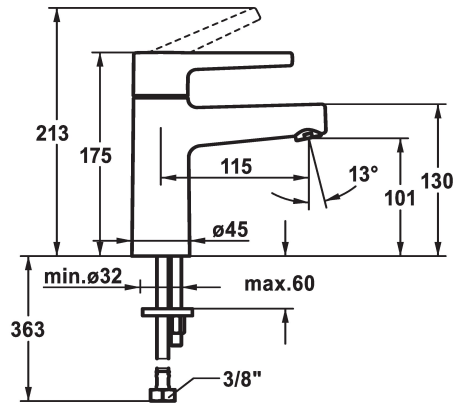


KWC MANA Lever mixer - Basin

Modell-Linie: MANA | 12.558.051.000FL
Kranar | Hydraulické armatúry



KWC-No.

125519

chromeline, A 115, flexible connection hoses, with Push Open

125520

chromeline, A 115, flexible connection hoses, without pop-up valve

- * Lever mixer
- * EcoProtect - water-saving device
- * Fixed spout
- Neoperl® Perlator® SSR, swivelling jet regulator
- * KWC cartridge M 35 OP

- with ceramic discs
- flow rate and temperature continuously variable
- * Flexible connection hoses 3/8"
- * Fastening by means of stud bolt M8 x 1
- * Mounting hole size ø35 mm

Technical Data

A_Spout_Spray	5 l/min (3 bar)
ATT-KWC-ABLAUFGARNITUR	2
Connection	Flexible_Anschlusschläuche
ATT-KWC-AUSLAUF	fest
Handling	1
ATT-KWC-FARBCODE	F000
Installation_type	1
Faucet_typ	01
Measure_Height	175
G_Acoustic group	1
Projection_A	A115
ATT-KWC-MASS-WASSERAUSTRITT	101



Reservdelar





KWC MANA
Lever mixer - Basin

Modell-Linie: MANA | 12.558.051.000FL
Kranar | Hydraulické armatury

Cartridge M 35 OP

538331
Z.537.710
