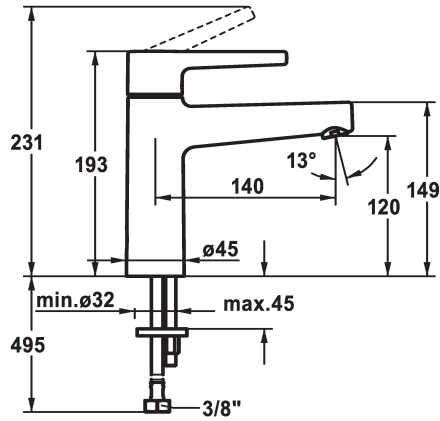
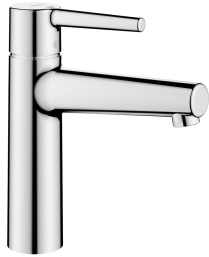


KWC MANA Lever mixer - Basin

Modell-Linie: MANA | 12.551.072.000FL
Taps | Manual taps



KWC-No.

125525
chromeline, A 110, flexible connection hoses, with Push Open

125526
chromeline, A 110, flexible connection hoses, with Push Open

- * Lever mixer
- * CoolFix - Cold water flow with a centered lever
- * EcoProtect - water-saving device
- * Fixed spout
- Neoperl® Perlator® SSR, swivelling jet regulator
- * OptimalSpace - ample space for washing or working

- * KWC cartridge M 35 OP
- with ceramic discs
- flow rate and temperature continuously variable
- * Flexible connection hoses 3/8"
- * Fastening by means of stud bolt M8 x 1
- * Mounting hole size ø35 mm

Technical Data

| | |
|-----------------------------|---------------------------|
| Flow rate | 5 l/min (3 bar) |
| pop-up assembly | 2 |
| Connection | Flexible connection hoses |
| Spout | fixe |
| Handling | yes |
| Color code | chrome |
| Installation type | yes |
| Faucet_typ | without connections 1 |
| Measure Height | 193 |
| Acoustic group | yes |
| Projection A | A 140 |
| ATT-KWC-MASS-WASSERAUSTRITT | 120 |



Spare Parts





KWC MANA
Lever mixer - Basin

Modell-Linie: MANA | 12.551.072.000FL
Taps | Manual taps

Cartridge M 35 OP

538331
Z.537.710
