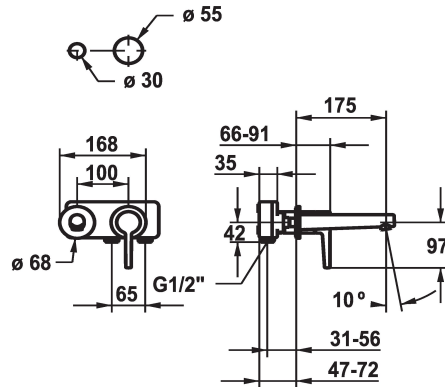


## KWC MANA

Trim kit - Lever mixer - Basin

Modell-Linie: MANA | 11.552.063.000

Hanat | Käsi­käyt­toiset hanat



### KWC-No.

**125529**

chromeline, A 175, Trim kit

**125530**

chromeline, A 225, Trim kit

- \* Trim kit Lever mixer
- \* EcoProtect - water-saving device
- \* Fixed spout
- Neoperl® Caché® CS, Coin Slot
- \* OptimalSpace - ample space for washing or working
- \* KWC cartridge M 35 H

- with ceramic discs
- flow rate and temperature continuously variable
- \* To be ordered separately:
- Unit for concealed installation ½" 39.001.401.931
- \* To be ordered separately (optional or if necessary):
- Extension set 20 mm Z.536.333

### Tekniset tiedot

A\_Spout\_Spray

Spout

ATT-KWC-DURCHMESSER

Handling

ATT-KWC-FARBCODE

Installation\_type

Faucet\_typ

G\_Acoustic group

ATT-KWC-UNTERPUTZ

Projection\_A

ATT-KWC-MASS-WASSERAUSTRITT

lviCode

5 l/min (3 bar)

fest

168x68

3

F000

Wandmontage

01

yes

3

A175

20

0



### Tarvittavat lisävarusteet



## KWC MANA

Trim kit - Lever mixer - Basin

Modell-Linie: MANA | 11.552.063.000  
Hanat | Käsi­käyt­toiset hanat

### BEVO Concealed unit

---

**124315**  
39.001.401.931

---

### Varaosat



### Cartridge M 35 H

---

**538327**  
Z.537.582

---