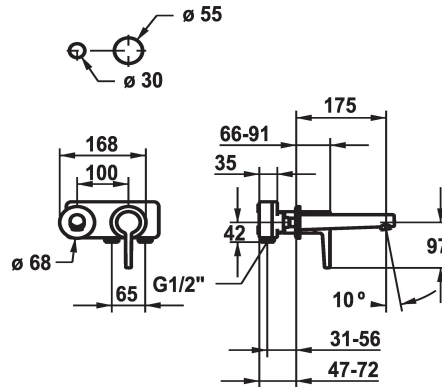


KWC MANA

Trim kit - Lever mixer - Basin

Modell-Linie: MANA | 11.552.063.000

Armatura umywalkowa | Armatura jednouchwytywa



KWC-No.

125529

chromeline, A 175, Trim kit

125530

chromeline, A 225, Trim kit

- * Trim kit Lever mixer
- * EcoProtect - water-saving device
- * Fixed spout
- Neoperl® Caché® CS, Coin Slot
- * OptimalSpace - ample space for washing or working
- * KWC cartridge M 35 H

- with ceramic discs
- flow rate and temperature continuously variable
- * To be ordered separately:
- Unit for concealed installation ½" 39.001.401.931
- * To be ordered separately (optional or if necessary):
- Extension set 20 mm Z.536.333

Dane techniczne

A_Spout_Spray

5 l/min (3 bar)

ATT-KWC-AUSLAUF

fest

ATT-KWC-DURCHMESSER

168x68

Handling

3

ATT-KWC-FARBCODE

F000

Installation_type

Wandmontage

Faucet_typ

01

G_Acoustic group

1

ATT-KWC-UNTERPUTZ

3

Projection_A

A175

ATT-KWC-MASS-WASSERAUSTRITT

20



Niezbędne akcesoria



KWC MANA

Trim kit - Lever mixer - Basin

Modell-Linie: MANA | 11.552.063.000

Armatura umywalkowa | Armatura jednouchwytowa

BEVO Concealed unit

124315

39.001.401.931

Części zamienne



Cartridge M 35 H

538327

Z.537.582
