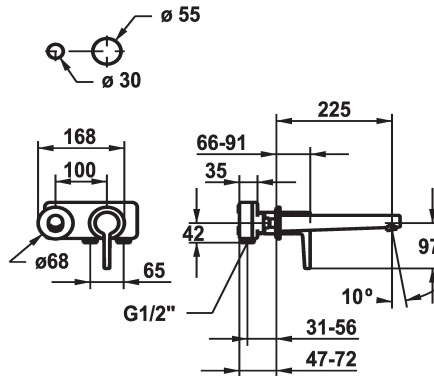


## KWC MANA Trim kit - Lever mixer - Basin

Modell-Linie: MANA | 11.552.064.000  
Taps | Manual taps



### KWC-No.

**125529**  
chromeline, A 175, Trim kit

**125530**  
chromeline, A 225, Trim kit

- \* Trim kit Lever mixer
- \* EcoProtect - water-saving device
- \* Fixed spout
- Neoperl® Caché® CS, Coin Slot
- \* OptimalSpace - ample space for washing or working
- \* KWC cartridge M 35 H

- with ceramic discs
- flow rate and temperature continuously variable
- \* To be ordered separately:
- Unit for concealed installation ½" 39.001.401.931
- \* To be ordered separately (optional or if necessary):
- Extension set 20 mm Z.536.333

### Technical Data

Flow rate	5 l/min (3 bar)
Spout	fixe
Handling	power supply conc. Inst.1
Color code	chrome
Installation_type	Wall mounted
Faucet_typ	Faucet
Acoustic group	Battery1
Concealed_unit	power supply conc. Inst.1
Projection_A	A 225
Dimension Water outlet	20



### Mandatory Accessories



## KWC MANA

Trim kit - Lever mixer - Basin

Modell-Linie: MANA | 11.552.064.000  
Taps | Manual taps

### BEVO Concealed unit

---

**124315**  
39.001.401.931

---

### Spare Parts



### Cartridge M 35 H

---

**538327**  
Z.537.582

---