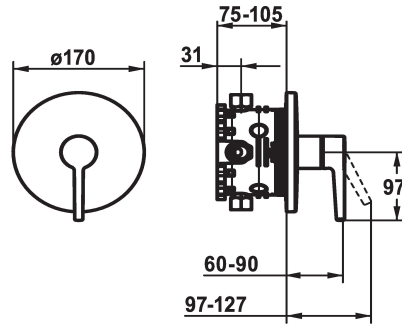


KWC MANA Trim kit - Lever mixer - Shower

Modell-Linie: MANA | 21.554.500.000
Duschar | Hydraulické sprchy



KWC-No.

125533
chromeline, Trim kit

- * Trim kit with function unit
- * Outflow top and below
- * Turning handle for diverter
- * KWC cartridge M 35 H
 - with ceramic discs
 - flow rate and temperature continuously variable
- * Scope of delivery:

- Function unit, lever, cap, sleeve, cover plate, holder for escutcheon, diverter
- Fastening of the cover plate without screws
- * To be ordered separately:
 - Unit for concealed installation KWC BLUEBOX®
 - ½", without shut-off valve, 39.999.900.931
 - ¾" (½"), with shut-off valve, 39.999.910.931

Technical Data

ATT-KWC-A_ABGANG_UP

19 l/min (3 bar)

ATT-KWC-DURCHMESSER

D170

Handling

3

ATT-KWC-FARBCODE

F000

Installation_type

Wandmontage

Faucet_typ

01

G_Acoustic group

1

ATT-KWC-UNTERPUTZ

3

Reservdelar



Cartridge M 35 H

538327
Z.537.582



KWC MANA

Trim kit - Lever mixer - Shower

Modell-Linie: MANA | 21.554.500.000

Duschar | Hydraulické sprchy