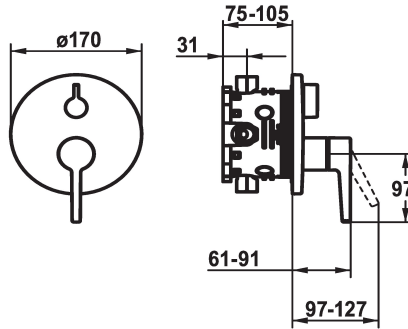


## KWC MANA Trim kit - Lever mixer - Tub

Modell-Linie: MANA | 20.554.500.000  
Sprchové armatury | Hydraulické sprchy



### KWC-No.

**125534**  
chromeline, Trim kit

**125535**  
chromeline, Trim kit, with vacuum breaker

- \* Trim kit with function unit
- \* Outflow top and below
- \* Turning handle for diverter
- \* KWC cartridge M 35 H
  - with ceramic discs
  - flow rate and temperature continuously variable
- \* Scope of delivery:

- Function unit, lever, cap, sleeve, cover plate, holder for escutcheon, diverter
- Fastening of the cover plate without screws
- \* To be ordered separately:
  - Unit for concealed installation KWC BLUEBOX®
    - ½", without shut-off valve, 39.999.900.931
    - ¾" (½"), with shut-off valve, 39.999.910.931

### Technické údaje

ATT-KWC-A\_ABGANG\_UP

19 l/min (3 bar)

ATT-KWC-DURCHMESSER

D170

Handling

0,2

ATT-KWC-FARBCODE

F000

Installation\_type

Wandmontage

Faucet\_typ

01

G\_Acoustic group

yes

ATT-KWC-UNTERPUTZ

0,2

### Náhradní díly



### Cartridge M 35 H

**538327**



**KWC** MANA

Trim kit - Lever mixer - Tub

**Modell-Linie: MANA | 20.554.500.000**  
Sprchové armatury | Hydraulické sprchy

Z.537.582

---