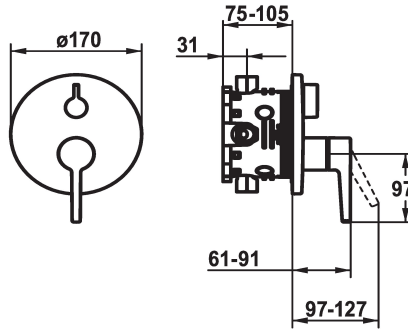


KWC MANA Trim kit - Lever mixer - Tub

Modell-Linie: MANA | 20.554.500.000
Duschar | Hydraulické sprchy



KWC-No.

125534
chromeline, Trim kit

125535
chromeline, Trim kit, with vacuum breaker

- * Trim kit with function unit
- * Outflow top and below
- * Turning handle for diverter
- * KWC cartridge M 35 H
- with ceramic discs
- flow rate and temperature continuously variable
- * Scope of delivery:

- Function unit, lever, cap, sleeve, cover plate, holder for escutcheon, diverter
- Fastening of the cover plate without screws
- * To be ordered separately:
- Unit for concealed installation KWC BLUEBOX®
- ½", without shut-off valve, 39.999.900.931
- ¾" (½"), with shut-off valve, 39.999.910.931

Technical Data

ATT-KWC-A_ABGANG_UP

19 l/min (3 bar)

ATT-KWC-DURCHMESSER

D170

Handling

3

ATT-KWC-FARBCODE

F000

Installation_type

Wandmontage

Faucet_typ

01

G_Acoustic group

1

ATT-KWC-UNTERPUTZ

3

Reservdelar



Cartridge M 35 H

538327



KWC MANA

Trim kit - Lever mixer - Tub

Modell-Linie: MANA | 20.554.500.000

Duschar | Hydraulické sprchy

Z.537.582
