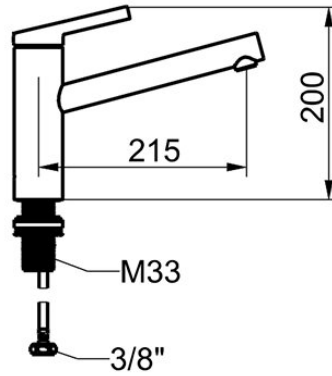


KWC FIT Lever mixer – Kitchen

Modell-Linie: FIT | 10.541.022.000FL
Taps | Manual taps



KWC-No.

125570
chromeline, A 215, flexible connection hoses

125571
matt black, A 215, flexible connection hoses

- * Lever mixer
- * Swivel spout 150°
- Neoperl® Cascade® SLC
- * KWC cartridge M 35 S
- with ceramic discs
- flow rate and temperature continuously variable

Color code

chrome

matt black

- temperature limitation
- * Flexible connection hoses 3/8"
- * QuickInstallation - Fastening via threaded connection with locking screws
- * Mounting hole size ø35 mm

NEW

Technical Data

| | |
|------------------------|---------------------------|
| Flow rate | 7 l/min (3 bar) |
| Connection | Flexible connection hoses |
| Spout | swivel |
| Handling | top lever |
| Color code | chrome |
| Installation type | Pillar installation |
| Faucet_typ | Faucet |
| Measure Height | 200 |
| Acoustic group | yes |
| Projection A | A 215 |
| Energy label | A |
| Dimension Water outlet | 136 |

