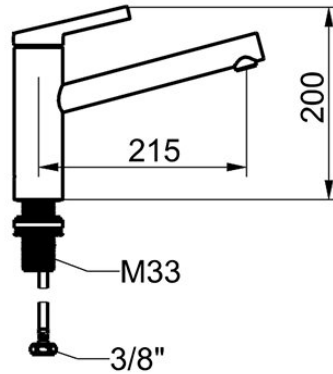


KWC FIT

Lever mixer – Kitchen

Modell-Linie: FIT | 10.541.022.000FL

Kranar | Hydraulické armatúry



KWC-No.

125570
chromeline, A 215, flexible connection hoses

125571
matt black, A 215, flexible connection hoses

- * Lever mixer
- * Swivel spout 150°
- Neoperl® Cascade® SLC
- * KWC cartridge M 35 S
- with ceramic discs
- flow rate and temperature continuously variable

ATT-KWC-FARBCODE

F000

F176

- temperature limitation
- * Flexible connection hoses 3/8"
- * QuickInstallation - Fastening via threaded connection with locking screws
- * Mounting hole size ø35 mm

NEW

Technical Data

A_Spout_Spray

Connection

ATT-KWC-AUSLAUF

Handling

ATT-KWC-FARBCODE

Installation_type

Faucet_typ

Measure_Height

G_Acoustic group

Projection_A

EnergyLabelCH

ATT-KWC-MASS-WASSERAUSTRITT

7 l/min (3 bar)

Flexible_Anschlusschläuche

schwenkbar

topbedient

F000

Standmontage

01

200

1

A215

A

136

