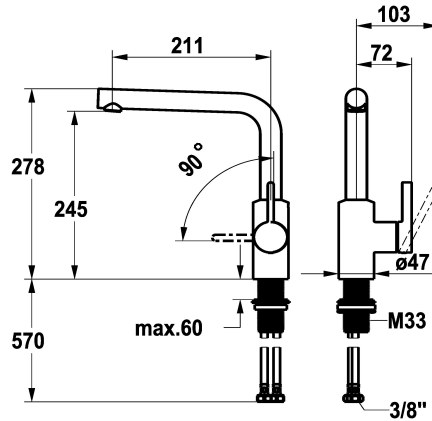


KWC FIT

Lever mixer – Kitchen

Modell-Linie: FIT | 10.541.012.176FL

Kranar | Hydraulické armatúry



KWC-No.

125574

chromeline, A 210, flexible connection hoses

125575

matt black, A 210, flexible connection hoses

ATT-KWC-FARBCODE

chromeline

matt black

NEW

* Lever mixer

* Lever installation only possible on the right side

- Child safety: cold water flow in lever position towards the front

* gap between wall and centre of mounting hole min. 25 mm

* Swivel spout 150°

- Neoperl® Cascade® SLC

* OptimalSpace - ample space for washing or working

* KWC cartridge M 35 S

- with ceramic discs

- flow rate and temperature continuously variable

- temperature limitation

* Flexible connection hoses 3/8"

* QuickInstallation - Fastening via threaded connection with locking screws

* Mounting hole size ø35 mm

Technical Data

A_Spout_Spray

7.6 l/min (3 bar)

Connection

Flexible_Anschlusschläuche

ATT-KWC-AUSLAUF

schwenkbar

Handling

seitenbedient

ATT-KWC-FARBCODE

matt black

Installation_type

Standmontage

Faucet_typ

01

ATT-KWC-BAUFORM

L-Auslauf

Measure_Height

278

G_Acoustic group

1

Projection_A

A205

EnergyLabelCH

A

ATT-KWC-MASS-WASSERAUSTRITT

245

Material

Mässing

