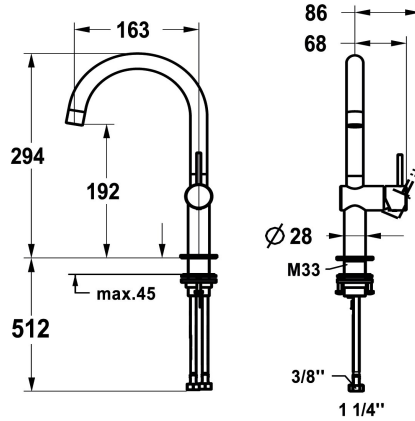


## KWC ONO E Lever mixer – Washbasin

Modell-Linie: ONO E | 12.578.142.000FL  
Taps | Manual taps



### KWC-No.

**125626**  
chromeline, A160, flexible connection hoses, without pop-up valve

**125627**  
stainless steel, A160, flexible connection hoses, without pop-up valve

- \* Lever mixer
- \* Made of stainless steel
- \* Lever installation only possible on the right side
- Child safety: cold water flow in lever position towards the front
- \* EcoProtect - water-saving device
- \* Swivel spout 120°
- Neoperl® Caché® SJR, swivelling jet regulator
- \* OptimalSpace - ample space for washing or working

### Color code

chromeline

stainless steel

- \* KWC cartridge S 25
- with ceramic discs
- flow rate and temperature continuously variable
- \* Flexible connection hoses 3/8"
- \* QuickInstallation - Fastening via threaded connection with locking screws
- \* Mounting hole size ø35 mm

NEW

### Technical Data

|                        |
|------------------------|
| Flow rate              |
| pop-up assembly        |
| Connection             |
| Spout                  |
| Handling               |
| Color code             |
| Installation type      |
| Faucet_typ             |
| Design                 |
| Dimension Height       |
| Acoustic group         |
| Projection A           |
| Energy label           |
| Dimension Water outlet |
| material               |

|                           |
|---------------------------|
| 4.4 l/min (3 bar)         |
| without pop-up valve      |
| Flexible connection hoses |
| swivel                    |
| side lever                |
| chromeline                |
| Pillar installation       |
| Faucet                    |
| J-Spout                   |
| 294                       |
| yes                       |
| A 160                     |
| A                         |
| 192                       |
| ROSTFREIER_STAHL          |



### Spare Parts

## KWC ONO E Lever mixer – Washbasin

Modell-Linie: ONO E | 12.578.142.000FL  
Taps | Manual taps



### Cartridge S 25

---

**538711**  
Z.536.032

---