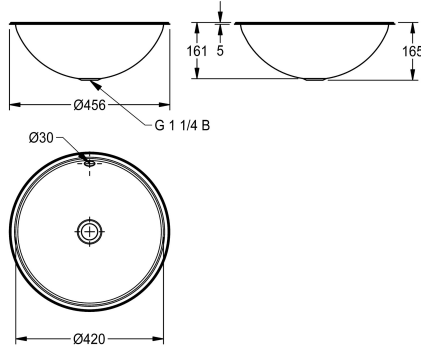


KWC RONDO Round sink

Modell-Linie: **RONDO | RNDH420**
Washbasins & Washtroughs | Wash basins



KWC-No.

2000056536

Dimensions 456 x 160 mm (x H) High-polished surface

2000056537

Surface satin-finished

bowl finish

high polished

satin finished

Round inset vanity basin, can be mounted from top or underneath, stainless steel, material thickness 1 mm, bowl diameter 420 mm, with overflow, inclusive G 1 1/4 B overflow kit without waste, stainless steel lugs for underneath mounting are included.

Dimensions 456 x 165 mm (D x H)
Outcut diameter for mounting from top 436 mm
Outcut diameter for mounting from underneath 410 mm
Surface high-polished

Technical Data

bowl position
bowl - bowl height
bowl finish
bowl - depth
bowl shape
bowl - width
colour
material
material code
material thickness
overall depth
overall height
overall width
overflow
rear upstand
siphon included
splash back
surface finish
tap ledge
type of mounting
waste hole position
waste hole projection
waste kit included

Center
160 mm
high polished
418 mm
circle
418 mm
no colour
stainless steel
1.4301 Chrome Nickel steel V2A
1 mm
456 mm
160 mm
456 mm
yes
no
no
no
high polished
no
inset mounting
centre
228 mm
yes

KWC RONDO Round sink

Modell-Linie: **RONDO | RNDH420**
Washbasins & Washtroughs | Wash basins

waste size _____
waste sleeve included _____

DN 32 _____
no _____

Optional Accessories



Waste kit

2000103551
ERNDX003



Waste kit

2000103407
EANMX002



RONDO waste fitting kit

2000101364
E-RNDX-UEL SET



RONDO reduction for outlet valve

2000101362
E-REDUKTION



Outlet valve

2000101361
E-XINH-VALVE-SS



RONDO outlet valve

2000101365
E-XINH VALVE

Spare Parts



Overflow set

2000103422



KWC RONDO

Round sink

Modell-Linie: RONDO | RNDH420

Washbasins & Washtroughs | Wash basins

EANMX010
