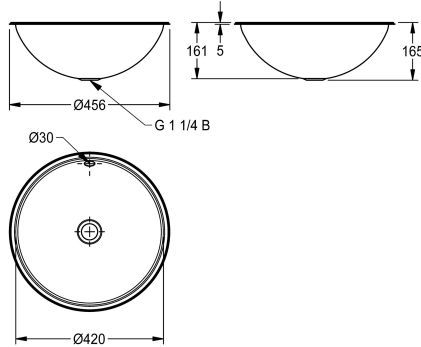


## KWC RONDO Round sink

Modell-Linie: **RONDO | RNDH420**  
Washbasins & Washtroughs | Wash basins



### KWC-No.

**2000056536**

Dimensions 456 x 160 mm ( x H) High-polished surface

**2000056537**

Surface satin-finished

### bowl finish

high polished

satin finished

Round inset vanity basin, can be mounted from top or underneath, stainless steel, material thickness 1 mm, bowl diameter 420 mm, with overflow, inclusive G 1 1/4 B overflow kit without waste, stainless steel lugs for underneath mounting are included.

Dimensions 456 x 165 mm (D x H)  
Outcut diameter for mounting from top 436 mm  
Outcut diameter for mounting from underneath 410 mm  
Surface high-polished

### Technical Data

bowl position	center
bowl - bowl height	160 mm
bowl finish	high polished
bowl - depth	418 mm
bowl shape	circle
bowl - width	418 mm
colour	no colour
material	stainless steel
material code	1.4301 Chrome Nickel steel V2A
material thickness	1 mm
overall depth	456 mm
overall height	160 mm
overall width	456 mm
overflow	yes
rear upstand	no
siphon included	no
splash back	no
surface finish	high polished
tap ledge	no
type of mounting	inset mounting
waste hole position	centre
waste hole projection	228 mm
waste kit included	yes

## KWC RONDO Round sink

Modell-Linie: **RONDO | RNDH420**  
Washbasins & Washtroughs | Wash basins

waste size \_\_\_\_\_  
waste sleeve included \_\_\_\_\_

DN 32 \_\_\_\_\_  
no \_\_\_\_\_

### Optional Accessories



Waste kit

**2000103551**  
ERNDX003



Waste kit

**2000103407**  
EANMX002



RONDO waste fitting kit

**2000101364**  
E-RNDX-UEL SET



RONDO reduction for outlet valve

**2000101362**  
E-REDUKTION



Outlet valve

**2000101361**  
E-XINH-VALVE-SS



RONDO outlet valve

**2000101365**  
E-XINH VALVE

### Spare Parts



Overflow set

**2000103422**



**KWC RONDO**  
Round sink

**Modell-Linie: RONDO | RNDH420**  
Washbasins & Washtroughs | Wash basins

EANMX010

---