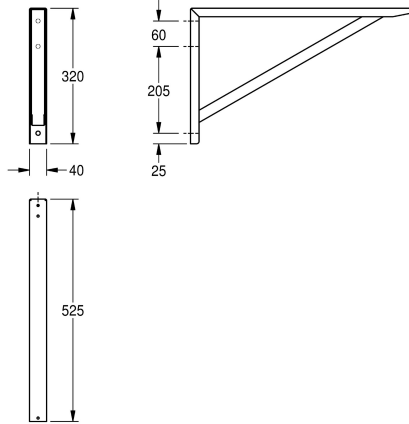


KWC SIRIUS

Bracket

Modell-Linie: SIRIUS | BS354

Utility sinks | Complementary parts utility sinks



KWC-No.

2000056824

SIRIUS bracket, dimensions 40 x 525 x 320 mm (W x H x D)

Bracket for wall mounting, stainless steel, surface satin finished, material thickness 1.5 mm, includes stainless steel screws and dowels.

Dimensions 40 x 320 x 525 mm (W x H x D)

Technical Data

material	stainless steel
material code	1.4301 Chrome Nickel steel V2A
material thickness	1.5 mm
overall depth	525 mm
overall height	320 mm
overall width	40 mm
surface finish	satin finished
type of mounting	wall mounting

material	stainless steel
material code	1.4301 Chrome Nickel steel V2A
material thickness	1.5 mm
overall depth	525 mm
overall height	320 mm
overall width	40 mm
surface finish	satin finished
type of mounting	wall mounting